



# SERIES 37 DIAPHRAGM VALVES STRAIGHT THROUGH TYPE - GLASS LINED DN15 - DN20 NON RISING HAND WHEEL



F-F: EN558-1 Series 7 BS 5156



KDV's range of bi directional Straight Through Type diaphragm valves offer exceptional durability and reliability. The clean design completely isolates line media from the mechanical components of the valve. Bubble tight shutoff (Class VI) and in-line serviceability (top entry) maximise plant efficiency and productivity.

KDV Straight Through Type diaphragm valves are suited to on-off and control applications and can be custom specified to suit a wide variety of applications.

*Contact your KDV technical sales representative to ascertain the correct valve and lining options for your specific application.*

## Designed & Manufactured by KDV

KDV Diaphragm valves are manufactured to international standards. Precision machining and strict quality control ensure consistency, reliability and durability.

## COMMON APPLICATIONS

- Water and waste water
- Organic sludge
- Effluent treatment
- Lime solutions
- Acidic Sludges
- Slurries

## FEATURES & BENEFITS

- Bubble-tight shutoff
- Easy/low maintenance
- Readily available spare parts
- In-line serviceable (top entry)
- Cavity free design
- Position indicator
- Excellent control characteristics
- Low fugitive emissions
- No stem seal leakage
- Line media isolated from valve mechanicals

## OPERATOR OPTIONS

- Lockable device (for isolation)
- Sealed bonnet
- Extension spindle
- Chain wheel
- Travel stop

## AUTOMATION SYSTEMS

- Pneumatic (fail open, fail closed, double acting)
- Electric
- Hydraulic

## OPTIONS

- Range of body materials
- Specialty coatings to suit a variety of environmental requirements
- Internal linings and coatings
- Range of bonnet materials

## FAST TRACK

In house manufacture and stock holdings allow KDV to deliver quickly, and reliably facilitate fast-track projects. Visit our website for information on the full range of KDV Diaphragm Valves.

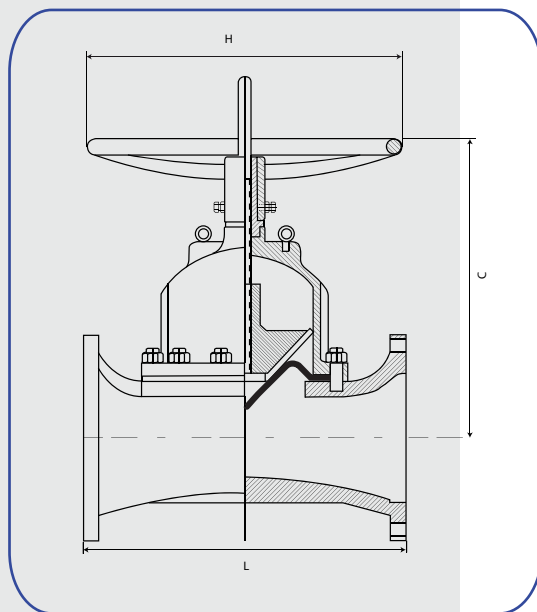
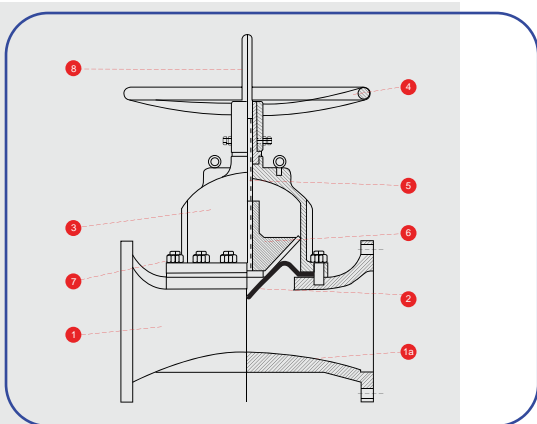
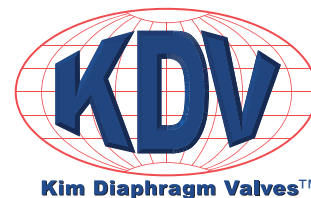
[www.kdvflow.com](http://www.kdvflow.com)



**Kim Diaphragm Valves™**

Corrosion and Abrasion Resistant Flow Control

# SERIES 37 DIAPHRAGM VALVES STRAIGHT THROUGH TYPE - GLASS LINED DN15 - DN20 NON RISING HAND WHEEL



## MATERIALS OF CONSTRUCTION

PART	MATERIAL
1 Body	Cast Iron
1a Lining	Borosilicate Glass
2 Diaphragm	See Below <sup>1</sup>
3 Bonnet Shell	Cast Iron, Ductile Iron
4 Hand Wheel	Cast Iron, Ductile Iron
5 Spindle	SS304
6 Compressor	Cast Iron, Ductile Iron
7 Fasteners	ISO Grade 8.8
8 Visual Indicator	Mild Steel

## DIMENSIONS & WEIGHTS (F-F EN558-1 Series 7 BS 5156)

Valve	L	C	H	Weight (kg)
DN15	108	90	70	2.4
DN20	117	90	70	2.8

## PRESSURE RATING

Valve	Valve
DN15-DN20	10 Bar

## DIAPHRAGM MATERIALS <sup>1</sup>

- 10 - Natural rubber (NR)
- 20 - EPDM rubber
- 30 - Butyl rubber (IIR)
- 40 - Nitrile rubber (NBR)
- 50 - Neoprene rubber (CR)
- 60 - Hypalon rubber (CSM)
- 70 - Viton rubber (FKM/FPM)

NB: Vacuum grade diaphragms available on request

## MATERIAL SPECIFICATIONS

- Cast Iron (ASTM A126 Gr CI B)
- Cast Ductile Iron (ASTM A395 Gr 60-40-18)
- Carbon Steel (ASTM A216 Gr WCB)
- Stainless Steel (ASTM A351 Gr CF8, CF8M, CF3, CF3M)

## FLANGE DRILLING STANDARDS

- ANSI B16.5 Class 125 & 150
- EN1092 (PN10/16) (BS4504)
- AS2129-2000 Table D/E (BS10 1962)
- JIS B2220

## DESIGN STANDARDS

- EN13397-2001 (BS5156:1985)
- MSS SP88-1993-(R-01)

## FACE TO FACE STANDARDS

- EN558-1 Series 7(BS5156)
- EN558-1 Series 1(DIN3202-F1)
- MSS SP88-1993-(R-01)

## TESTING STANDARDS

- EN12266-1 2002(BS6755 Part 1)
- MSS SP88-1993-(R-01)

## ALTERNATIVE LINING/COATING OPTIONS

- Rubber
- ECTFE (Halar®)
- Plastic
- Rilsan
- FBE

Note 1: Specifications contained in this document are subject to change.  
Note 2: For precise specifications and dimensions contact KDV to obtain a general assembly drawing.

[www.kdvflow.com](http://www.kdvflow.com)

This information above is for general guidance only. Kim Diaphragm Valves Pty. Ltd. reserves the right to change specifications without notice. KDV, Kim Diaphragm Valves and logo are Trade Marks and Registered Trade Marks. Hypalon and Viton are Registered Trade Marks of El DuPont de Nemours and Company. © Copyright 6/2012, Kim Valves Australia Pty. Ltd.

HEAD OFFICE - AUSTRALIA  
16-18 Overseas Drive,  
Noble Park, Vic  
Australia, 3174  
Tel: +61 3 8793 4000  
Email: [info@kdvflow.com](mailto:info@kdvflow.com)  
[www.kdvflow.com](http://www.kdvflow.com)

KDV (THAILAND) CO. LTD  
111/2 Moo.3, Tambol Kraihun Lom  
Amphur Samphran,  
Nakornpathom 73220  
Tel: +66 2 420 3848  
Email: [info@kdv.co.th](mailto:info@kdv.co.th)  
[www.kdv.co.th](http://www.kdv.co.th)

KDV CHINA  
Xiaozhan Development Area  
Jinan  
Tianjin City  
China  
Email: [info@kdvflow.com](mailto:info@kdvflow.com)  
[www.kdvflow.com](http://www.kdvflow.com)

USA  
KDV LLC  
Suite 105  
2785 Clairmont Road N.E  
Atlanta, Georgia 30329  
[www.kdvflow.com](http://www.kdvflow.com)