



SERIES 35 DIAPHRAGM VALVES

WEIR TYPE - SCREWED STAINLESS STEEL

DN15 - DN50 RISING HAND WHEEL



KDV's range of bi directional Weir Type diaphragm valves offer exceptional durability and reliability. The clean design completely isolates line media from the mechanical components of the valve. Bubble tight shutoff (Class VI) and in-line serviceability (top entry) maximise plant efficiency and productivity.

KDV Weir Type diaphragm valves are suited to on-off and control applications and can be custom specified to suit a wide variety of applications.

Contact your KDV technical sales representative to ascertain the correct valve and lining options for your specific application.

Designed & Manufactured by KDV

KDV Diaphragm valves are manufactured to international standards. Precision machining and strict quality control ensure consistency, reliability and durability.

COMMON APPLICATIONS

- Water and waste water
- Organic sludge
- Effluent treatment
- Lime solutions
- Gases (e.g. compressed air)
- Lubricating oil



FEATURES & BENEFITS

- Bubble-tight shutoff
- Easy/low maintenance
- Readily available spare parts
- In-line serviceable (top entry)
- Cavity free design
- Position indicator
- Excellent control characteristics
- Low fugitive emissions
- No stem seal leakage
- Line media isolated from valve mechanicals

OPERATOR OPTIONS

- Lockable device (for isolation)
- Sealed bonnet
- Extension spindle
- Chain wheel
- Stainless steel bonnet
- Plastic bonnet

AUTOMATION SYSTEMS

- Pneumatic (fail open, fail closed, double acting)
- Electric
- Hydraulic

OPTIONS

- Specialty coatings to suit a variety of environmental requirements
- Range of bonnet materials

FAST TRACK

In house manufacture and stock holdings allow KDV to deliver quickly, and reliably facilitate fast-track projects. Visit our website for information on the full range of KDV Diaphragm Valves.

www.kdvflow.com



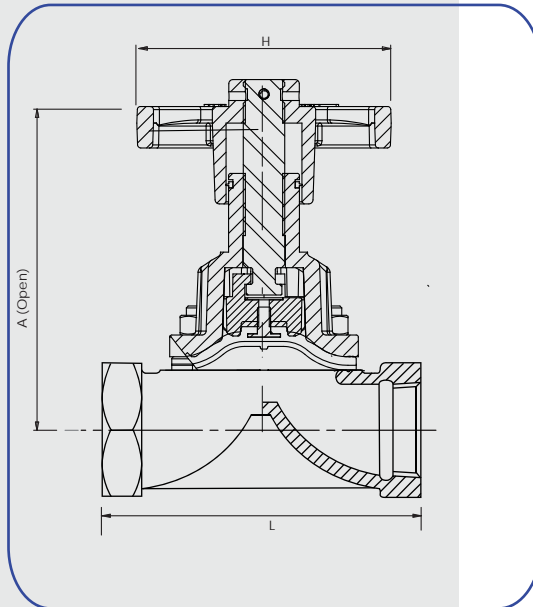
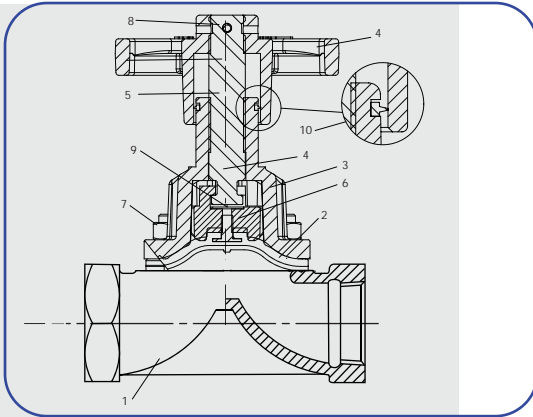
Kim Diaphragm Valves™

Corrosion and Abrasion Resistant Flow Control

SERIES 35 DIAPHRAGM VALVES

WEIR TYPE - SCREWED STAINLESS STEEL

DN15 - DN50 RISING HAND WHEEL



MATERIALS OF CONSTRUCTION

PART	MATERIAL
1 Body	Stainless Steel
2 Diaphragm	See Below ¹
3 Bonnet Shell	Cast Iron, Cast Ductile Iron
4 Hand Wheel	Cast Iron, Cast Ductile Iron (Coatings and alternative materials on request)
5 Spindle	SS304, SS316
6 Compressor	Cast Iron, Cast Ductile Iron
7 Fasteners	ISO Grade 8.8, Stainless Steel
8 Hand Wheel Pin	Spring Steel
9 Thrust Disc	Delrin
10 Environmental Seal	EPDM Wiper Seal

DIMENSIONS & WEIGHTS

Valve	L (mm)	A (mm)	H (mm)	Weight (kg)
DN15	64	110	64	0.80
DN20	83	122	65	1.20
DN25	108	131	87	2.00
DN40	140	169	123	4.00
DN50	165	199	123	6.00

PRESSURE RATING

Elastomer diaphragms	PTFE diaphragms
DN15 - DN50 16 Bar	DN15 - DN50 10 Bar

DIAPHRAGM MATERIALS¹

- 10 - Natural rubber (NR)
- 20 - EPDM rubber
- 30 - Butyl rubber (IIR)
- 40 - Nitrile rubber (NBR)
- 50 - Neoprene rubber (CR)
- 60 - Hypalon rubber (CSM)
- 70 - Viton rubber (FKM/FPM)
- 92 - PTFE/EPDM backed
- 93 - PTFE/Butyl backed
- 96 - PTFE/Hypalon backed
- 97 - PTFE/Viton backed
- 98 - PTFE/Silicon backed
- 9D - TFM/PVDF/EPDM (3 PIECE)
- 9R - TFM/PVDF/EPDM (3 PIECE with titanium Connector)

NB: Vacuum grade diaphragms available on request

Note 1: Specifications contained in this document are subject to change.
 Note 2: For precise specifications and dimensions contact KDV to obtain a general assembly drawing.

MATERIAL SPECIFICATIONS

- Stainless Steel (ASTM A351 Gr CF8M)

THREAD STANDARDS

- ANSI B2.1 NPT
- AS1722.1 Part1 BSPP

TESTING STANDARDS

- EN12266-2 2002(BS6755 Part 1)

DESIGN STANDARDS

- EN13397-2001 (BS5156:1985)