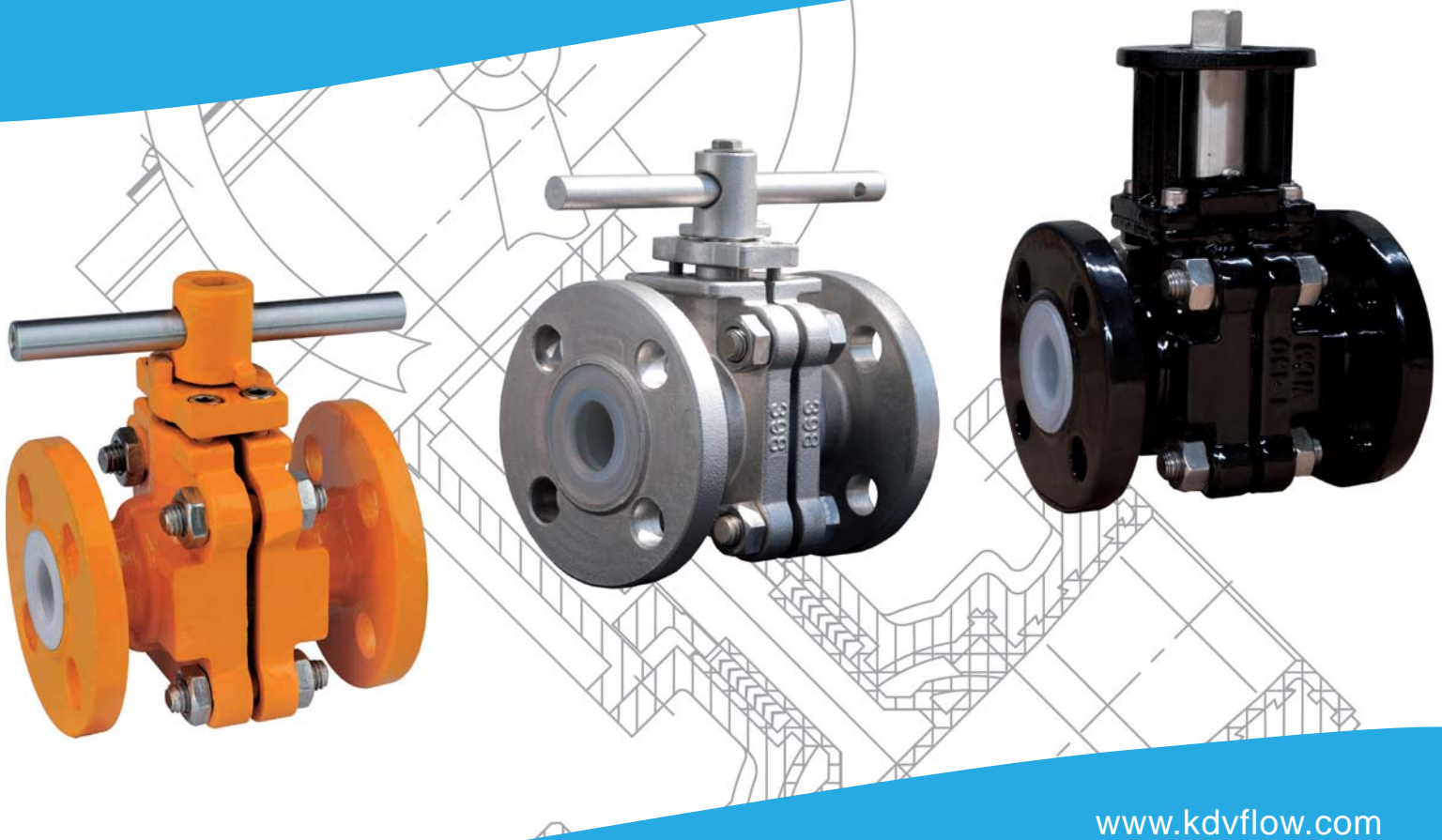




Corrosion & Abrasion  
Resistant flow Control



[www.kdvflow.com](http://www.kdvflow.com)

---

**SERIES 60 PFA LINED BALL VALVES**

# SERIES 60 BALL VALVES

## PFA LINED

LEVER OPERATOR (DN15-DN100) / GEARBOX OPERATOR (DN15-DN200)



KDVs PFA lined ball valves are manufactured to exacting standards and fully tested to ensure reliability, durability and high performance with corrosive media and in harsh environmental conditions.

Internal features include 3mm(+) PFA lining, PTFE seat seals for tight shut off, chevron cap and cone stem packing for stem sealing integrity and a dovetail groove to lock the lining in place. All wetted surfaces are lined to resist chemical and thermal attack.

The body is protected with a chlorine free resin surface primer and enamel top coat. Options include body & lining materials and electric/pneumatic actuation.



Our ETFE and PFA linings are made from only the best raw materials to ensure high purity and a flawless finish.



### Common Applications

- Organic & Inorganic Chemicals
- Alkali's & Chlorine
- Fertilizers
- Pharmaceutical
- Petroleum
- Metal & Mineral processing
- Pulp, Paper & Wood
- Water treatment
- Sulphur recovery



### Key Features

- Excellent resistance to acids/solvents
- Not affected by mechanical/thermal shock
- Wide temperature curve performance
- Self cleaning (non stick)
- Robust construction
- Split body allows easy maintenance
- Full bore design
- Integral ball and stem
- PTFE seat seals
- Dovetail lining lock
- Stainless steel fasteners

### Options

- Body material - WCB,CF8,CF8M

### Operator Options

- Lever (DN15-DN150)
- Gear Box (DN15-DN250)
- Pneumatic & Electric actuation



# SERIES 60 BALL VALVES

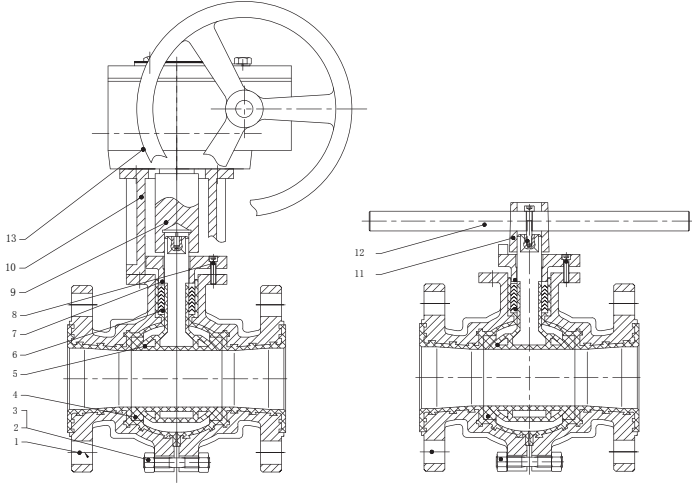
## PFA LINED

LEVER OPERATOR (DN15-DN100) / GEARBOX OPERATOR (DN15-DN200)



### Plastic Lined Ball Valves

#### Parts



#### MATERIALS OF CONSTRUCTION

1	Body	A216 WCB+PFA	8	Bolt	SS304
2	Stud	SS304	9	Bolt	SS304
3	Nut	SS304	10	Yoke	A216 WCB
4	Seat	PTFE	11	Handle Seat	A216 WCB
5	Ball	A351 CF8+PFA	12	Lever	1025
6	Packing	PTFE	13	Worm Gear	
7	Gland	A216 WCB			

\*Stocked item. Body/Lining also available to order in the following combinations:  
A216 WCB+PTFE/FEP, A351 CF8+PTFE/FEP, A351 CF8M+PFA/PTFE/FEP

\*\*Stocked item. Ball/Stem also available in the following combinations:

A351 CF8+PTFE/FEP, A351 CF8M+PFA/PTFE/FEP, A351 CF3+PFA/PTFE/FEP, A351 CF3M+PFA/PTFE/FEP

Notes:

1. 1 piece ball & stem

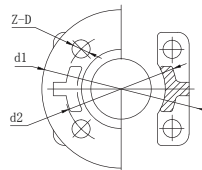
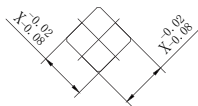
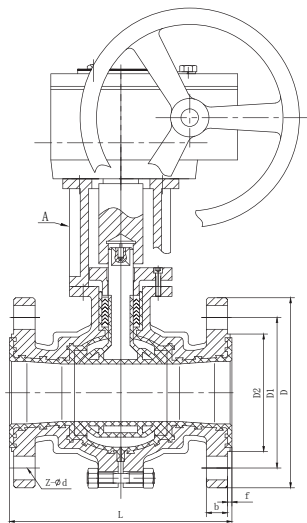
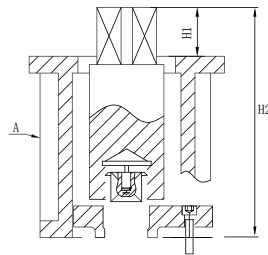
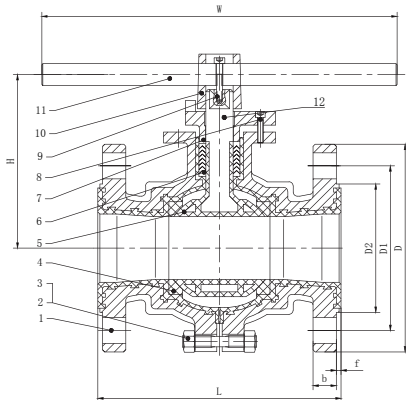
2. Locked lining suitable for vacuum

3. Epoxy coated for external corrosion protection

#### DN15-DN100 (Lever) Face to Face ASME B16.10

Valve	L	D	D1	D2	f	Z-Ød	H
DN15	110	89	60.5	35	3	4-Ø16	16
DN20	117	98	70.0	43	3	4-Ø16	16
DN25	127	108	79.5	51	3	4-Ø16	16
DN32	140	117	89.0	64	3.5	4-Ø16	20
DN40	165	127	98.5	73	3.5	4-Ø16	20
DN50	178	152	120.5	92	3.5	4-Ø19	24
DN65	190	178	139.5	105	3.5	4-Ø19	24
DN80	203	190	152.5	127	3.5	4-Ø19	26
DN100	229	229	190.5	157	4.0	8-Ø19	26

#### Dimensions



#### DN15-DN200 (Gearbox) Face to Face ASME B16.10

Valve	L	D	D1	D2	f	Z-Ød	H
DN15	110	89	60.5	35	3.0	4-Ø16	16
DN20	117	98	70.0	43	3.0	4-Ø16	16
DN25	127	108	79.5	51	3.0	4-Ø16	16
DN32	140	117	89.0	64	3.5	4-Ø16	20
DN40	165	127	98.5	73	3.5	4-Ø16	20
DN50	178	152	120.5	92	3.5	4-Ø19	24
DN65	190	178	139.5	105	3.5	4-Ø19	24
DN80	203	190	152.5	127	3.5	4-Ø19	26
DN100	229	229	190.5	157	3.5	8-Ø19	26
DN125	254	254	216.0	186	3.5	8-Ø22	26
DN150	267	279	241.5	216	3.5	8-Ø22	40
DN200	457	343	298.5	270	4.0	8-Ø22	55

#### DN15-DN200 (Bare Shaft) Face to Face ASME B16.10

Valve	d1	d2	H1	H2	ISO	X	Z-D	Torque Nm
DN15	70	50	16	82	F05	14	4-8	12
DN20	70	50	16	82	F05	14	4-8	12
DN25	70	50	16	82	F05	14	4-8	20
DN32	70	50	20	85	F05	17	4-8	25
DN40	90	70	20	90	F07	17	4-10	45
DN50	90	70	24	94	F07	17	4-10	50
DN65	90	70	24	94	F07	17	4-10	65
DN80	125	102	26	106	F10	22	4-12	100
DN100	125	102	26	106	F10	22	4-12	130
DN125	125	102	26	116	F10	24	4-12	210
DN150	150	125	40	130	F12	27	4-14	300
DN200	210	165	55	145	F16	46	4-22	800

Note 1: Specifications contained in this document are subject to change.  
Note 2: For precise specifications and dimensions contact KDV to obtain a general assembly drawing.



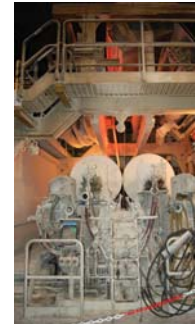
## Plastic Lined Valves & Accessories



KDVs range of plastic lined valves is manufactured to exacting standards and fully tested to ensure reliability, durability and high performance with corrosive media and in harsh environmental conditions. Our ETFE and PFA linings are made from only the best raw materials to ensure high purity and a flawless finish.

KDV supplies DuFline® PTFE/PFA lined pipe and fitting products

- suitable for the most demanding corrosive and abrasive applications.



• Diaphragm Valves • Butterfly Valves • Check Valves • Ball Valves • Plug Valves • Sight Glass • Lined Pipe & Fittings

• Plug Valves • Sight Glass • Lined Pipe & Fittings • Diaphragm Valves • Butterfly Valves • Check Valves • Ball Valves • Plug Valves • Sight Glass • Lined Pipe & Fittings