



Corrosion & Abrasion
Resistant flow Control



DN 8



DN 10-20



DN 25-80



DIAPHRAGMS FOR STRAIGHT THROUGH TYPE DIAPHRAGM VALVES

www.kdvflow.com

MANUFACTURED EXCELLENCE

Manufacture

KDV manufactures a wide variety of premium quality reinforced diaphragms to suit a range of industrial valves. Our strict quality control standards and the use of only the best materials and construction methods ensures complete security of line media in the harshest of environments. No matter what the application, KDV diaphragms can be relied on to provide peace of mind and superior return on investment. Our specialist reinforcement and bonding techniques ensure that our diaphragms provide outstanding durability and security

KDV PTFE faced diaphragms provide a corrosion resistant barrier in applications where rubber is not appropriate. Our PTFE and EPDM food grade diaphragms carry FDA approval - and our PTFE diaphragms satisfy USP class 6 (USA pharmaceutical standard).

Features & Benefits

- **Durable**
- **Excellent compression qualities**
- **Chemical and abrasion resistance**
- **Superior leak tight sealing**



Styles

DN25 + "Screwed Style" - diaphragms are assembled by screwing the diaphragm stud into the corresponding female thread on the compressor.

DN15 - 80



DN100 - DN300



For detailed product information and assembly instructions visit www.kdvflow.com

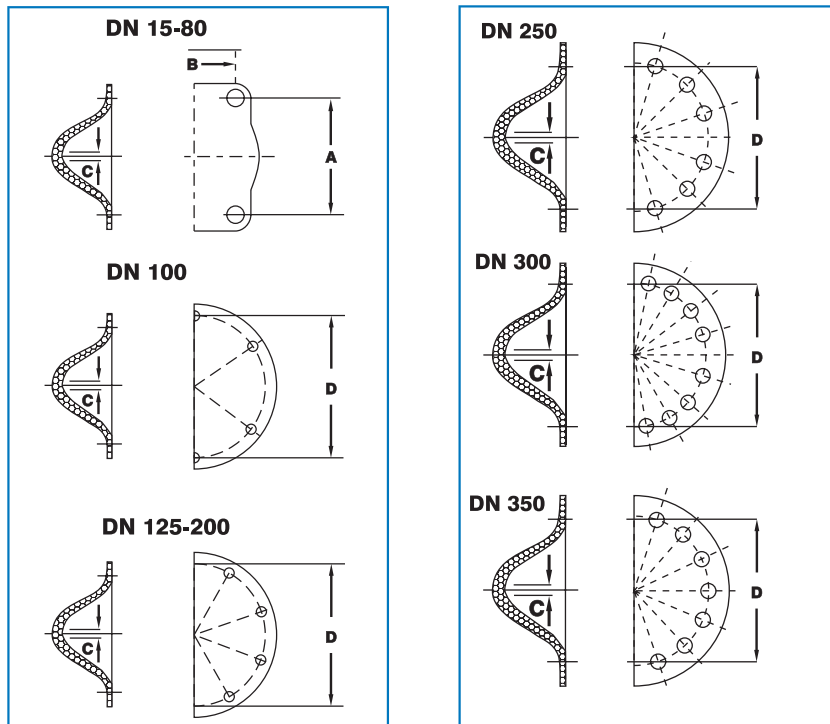
Diaphragm Selection And Services

Materials

GRADE	MATERIALS	TEMP		SIZE RANGE		SERVICES/PROPERTIES
		°C	°F	Imperial	Metric	
10	Natural Rubber NR	-30 - 90	-22 - 194	1" - 12"	25 - 350mm	General purpose, abrasives, water, diluted minerals, acids
11	Natural Rubber Composite	-30 - 90	-22 - 194	1" - 8"	25 - 200mm	Abrasives, slurry and suspended solids
20	EPDM/Black	-40 - 135	-40 - 275	1" - 12"	25 - 350mm	General purpose, resistant to temperatures, most corrosive chemicals and abrasive liquids.
2F	EPDM/Food Grade (FDA)	-30 - 100	-22 - 212	1" - 8"	25 - 200mm	Food and pharmaceuticals.
30	Butyl Rubber IIR Chlorobutyl - Isobutylene Isoprene Halogenated	-20 - 120	-4 - 248	1" - 12"	25 - 350mm	Acids, alkalis, hot water, low pressure steam.
40	Nitrile Rubber NBR Acrylonitrile Butadiene Rubber	-20 - 90	-4 - 194	1" - 12"	25 - 350mm	Oils, fats & fuels.
50	Neoprene CR Chloroprene Rubber	-20 - 90	-4 - 194	1" - 12"	25 - 350mm	Air, weak chemicals, greases.
60	Hypalon® CSM Chlorosulfonated Polyethylene	-10 - 90	14 - 194	1" - 12"	25 - 350mm	Concentrated acids & alkalis, chlorine services.
70	FKM/Viton® FPM Fluorinated Elastomer	0 - 150	32 - 301	1" - 4"	25 - 100mm	High corrosion resistance at elevated temperatures.

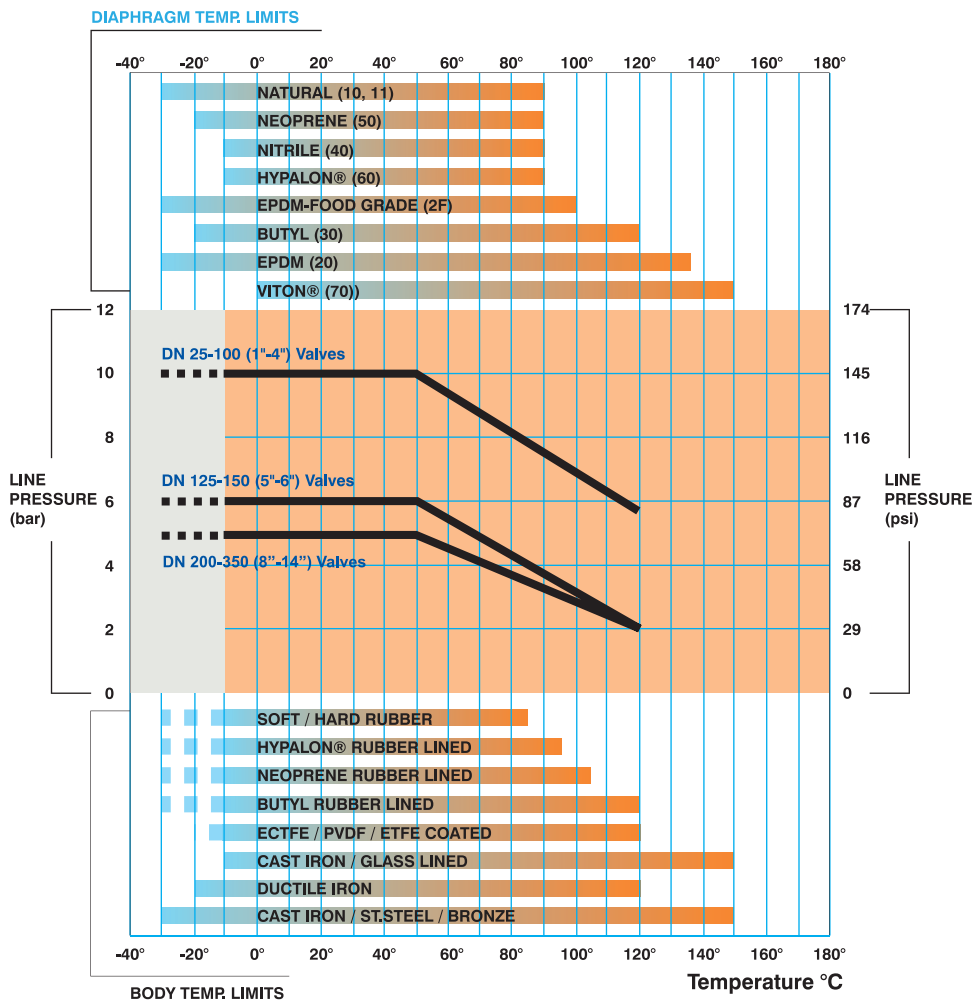
Notes
 DN350 available in some grades on special order. Contact KDV for specifications and availability.
 Temperature range shown is a guide only.

Dimensions

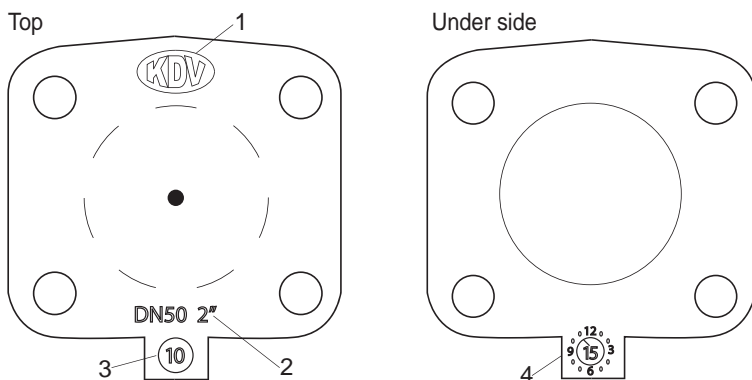


Nominal Size	A	B	C	D
15	30	55	3/16"W	
20	30	55	3/16"W	
25	50	64	1/4"W	
32	50	64	1/4"W	
40	50	64	1/4"W	
50	64	86	1/4"W	
65	102	134	3/8"W	
80	102	134	3/8"W	
100			3/8"W	171
125			5/8"W	254
150			5/8"W	254
200			5/8"W	305
250			5/8"W	381
300			1"W	451
350			1"W	527

Pressure/Temperature



Diaphragm identification



KDV diaphragms are stamped with size, grade and date of manufacture. This information provides measurement of service life and precise identification for re-ordering.

1. Genuine KDV part stamp
2. Size
3. Grade
4. Manufacturer code

